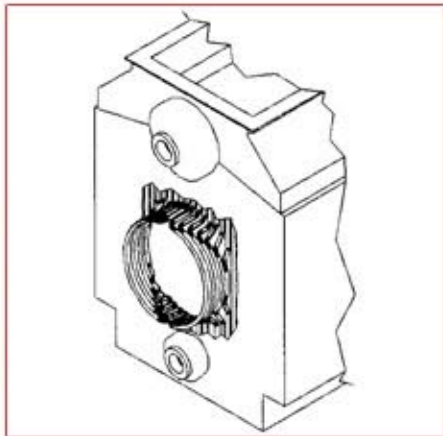


INDECK[®]

Replacement Boiler Tubes & Pressure Parts for Keystone[®], HRSG & Solid Fuel Fired Boilers



Water Cooled Burner Throat
Tubes for Keystone[®] Package
Boiler

Indeck Keystone Energy offers replacement boiler tubes and pressure components that are manufactured to our original detailed designs and in strict accordance with ASME Code.

In addition to direct replacement parts for all IKE (Zurn and Erie City Iron Works) boilers, Indeck can also provide design enhancements that are tailored to meet unique operational needs and conditions. Such enhancements may include welded tube walls to replace refractory walls, adding heat transfer surface, or redesigning tubes to permit access for doors, observation ports, or soot blowers.

Features

- Tube and pressure parts are manufactured in strict compliance with ASME Code and our OEM Quality Control standards.
- Exact tube and pressure part replacement dimensions held to assure original boiler construction.
- Revisions and redesigned tubes available.
- Indeck tubes and parts carry a one year material and workmanship warranty.

Application

All replacement tubes and pressure components required for your IKE boiler should only be replaced with genuine IKE products. These products are manufactured per our original detailed drawings, which will help your boiler perform up to its original intended service.

Benefits

- Original replacement parts eliminate risky and time consuming field estimates and templating.
- Exact replacement parts enhance ease of installation and fit the first time.
- True tangent wall tube design for a "gas-tight" fit is achievable only with Indeck special bending dies.
- Special modifications to help improve boiler operations may be made.

For more information,
please contact:

Indeck Keystone Energy, LLC.

Aftermarket Sales & Service
5340 Fryling Road, Suite 200
Erie, PA 16510-4672
814.452.6421

www.indeck-keystone.com

24-Hour Availability
1.800.322.5995