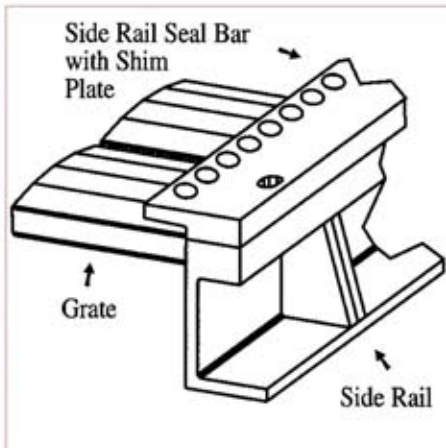


# INDECK<sup>®</sup>

## Stainless Steel Side Rail Seal Bars<sup>®</sup>

### For Travagrate<sup>®</sup> Stoker



Stainless Steel Side Rail Seal Bars

Indeck Keystone Energy's Travagrate<sup>®</sup> Stoker Side Rail Seal Bars are now available in stainless steel material for applications where non-standard fuels such as demolition wood, RDF, and reclaimed landfill wood are fired.

As always, Indeck's high strength high temperature resistant ductile iron side rail seal bar castings are available from stock.

#### Features

- The side rail seal bars are fabricated from high temperature resistant stainless steel and consist of a side seal bar and carbon steel shim plate.
- Both the side rail seal bar and the shim plate are pre-drilled with oversized bolt holes for convenient field fit-up and alignment.
- The side rail seal bar is perforated to allow for air cooling from the stoker undergrate air.

#### Application

The stainless steel side rail seal bars are a direct replacement of the original seals. Designed for high temperature resistance, these stainless steel seal bars are applicable on all boilers and are extremely effective with non-standard biomass fuels.

#### Benefits

- Withstands higher furnace gas temperatures—extending service life
- Reduces maintenance due to longer life expectancy
- Ease of replacement due to redesigned fit-up configuration

For more information,  
please contact:

#### **Indeck Keystone Energy, LLC.**

Aftermarket Sales & Service  
5340 Fryling Road, Suite 200  
Erie, PA 16510-4672  
814.452.6421

[www.indeck-keystone.com](http://www.indeck-keystone.com)

24-Hour Availability  
1.800.322.5995