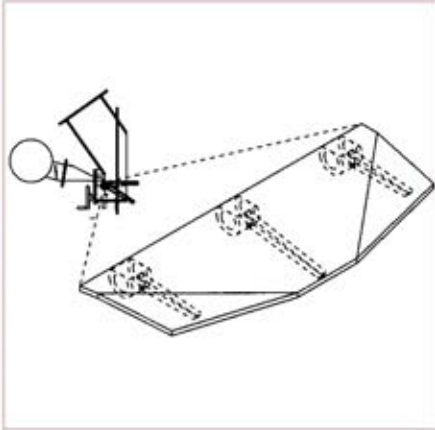


# **INDECK**<sup>®</sup>

## Stainless Steel Trajectory Plate for Pneumatic Fuel Distributor



Stainless Steel Trajectory  
Plate with Reinforced  
Stiffening Ribs

The trajectory plate of Indeck Keystone Energy's Pneumatic Fuel Distributors are now available in 304 Stainless Steel material for applications where non-standard biomass fuels such as demolition wood, RDF, and reclaimed landfill wood are fired.

### **Features**

- Trajectory plates are fabricated from 304 SS material.
- Underplate area has been reinforced with stiffening ribs.
- All dimensions are compatible with the original cast iron trajectory plates.

### **Application**

The stainless steel trajectory plate is a direct replacement for the cast iron plates originally furnished on Indeck's pneumatic fuel distributors. Designed for high temperature and impact resistance, these stainless steel plates are most effective on boilers that fire non-standard biomass fuels.

### **Benefits**

- The stainless steel material withstands high furnace gas temperatures allowing longer service life.
- Enhanced performance and plate strength due to the stiffening ribs.
- Lower maintenance
- Fast, efficient replacement / installation
- Greater impact strength

For more information,  
please contact:

### **Indeck Keystone Energy, LLC.**

Aftermarket Sales & Service  
5340 Fryling Road, Suite 200  
Erie, PA 16510-4672  
814.452.6421

[www.indeck-keystone.com](http://www.indeck-keystone.com)

24-Hour Availability  
1.800.322.5995